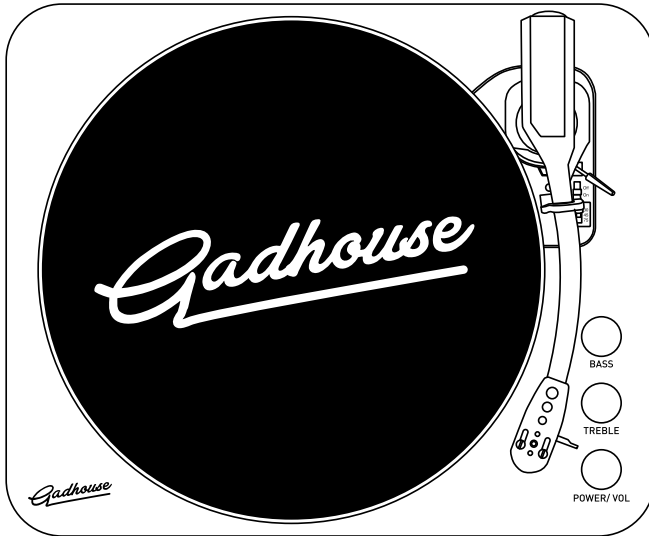


Gadhouse



Dean

DEAN TURNTABLE

USER MANUAL

CONTENT

Introduction	04
Safety Information	05
Specification	10
Accessories included	11
Control locators	12
Getting started	13
Unpacking and power source	13
Operation	13
Audio Input	13
Turntable function (LP)	13
Bluetooth Function (BT)	14
Aux-In function (AUX)	14
Audio Output	15
Line-out RCA	15
Line-in 3.5 mm	15
Troubleshooting guide	16
Maintenance and Care	20

INTRODUCTION

Thank you for purchasing **Dean Turntable**.

To assure maximum satisfaction from this product, please read the information and follow the instructions presented in this manual. Please keep the manual in an accessible location for future reference.

We suggest that you save all the packaging materials for possible future storage, moving or shipping.

Caution: To avoid stylus damage, make certain the included stylus guard is in place whenever the turntable is being installed, moved or cleaned.

SAFETY INFORMATION

WARNING

TO PREVENT FIRE OR SHOCK HAZARD, DO NOT USE THIS PLUG WITH AN EXTENSION CORD, RECEPTACLE OR OTHER OUTLET UNLESS THE BLADES CAN BE FULLY INSERTED TO PREVENT BLADE EXPOSURE. TO PREVENT FIRE OR SHOCK HAZARD, DO NOT EXPOSE THIS APPLIANCE TO RAIN OR MOISTURE.

CAUTION

TO REDUCE THE RISK OF ELECTRIC SHOCK, DO NOT REMOVE COVER (OR BACK). NO USER-SERVICEABLE PARTS INSIDE. REFER SERVICING TO QUALIFIED SERVICE PERSONNEL.



The lightning flash with arrowhead symbol, within an equilateral triangle, is intended to alert the user to the presence of uninsulated “dangerous voltage” within the product’s enclosure that may be of sufficient magnitude to constitute a risk of electric shock to persons.



The exclamation point within an equilateral triangle is intended to alert the user to the presence of important operating and maintenance (servicing) instructions in the literature accompanying the appliance.



Important safety instructions



1. Read these instructions.
2. Keep these instructions.
3. Heed all warnings.
4. Follow all instructions.
5. Do not use this apparatus near water.
6. Clean only with a dry cloth.
7. Do not block any of the ventilation openings. Install in accordance with the manufacturer's instructions.
8. Do not install near any heat sources such as radiators, heat registers, stoves, or other apparatus (including amplifiers) that produce heat.
9. Do not defeat the safety purpose of the polarized or grounding plug. A polarized plug has two blades with one wider than the other. A grounding plug has two blades and a third grounding prong. The wide blade or the third prong is provided for your safety. If the provided plug does not fit into your outlet, consult an electrician for replacement of the obsolete outlet.
10. Protect the power cord from being walked on or pinched particularly at plugs, convenience receptacles, and the point where they exit from the apparatus.
11. Only use attachments/accessories specified by the manufacturer.
12. Use only with a cart, stand, tripod, bracket or table specified by the manufacturer, or sold with the apparatus. When a cart is used, use caution when moving the cart/apparatus combination to avoid injury from tip-over.
13. Unplug this apparatus during lightning storms or when unused for long periods of time.
14. Refer all servicing to qualified service personnel. Servicing is required when the apparatus has been damaged in any way, such as power-supply cord or plug is damaged, liquid has been spilled or objects have fallen into the apparatus, the apparatus has been exposed to rain or moisture, does not operate normally, or has been dropped.
15. Where a mains plug is used as the disconnect device, the disconnect device shall remain readily operable.

16. Please keep the unit in a good ventilation environment.
17. Apparatus shall not be exposed to dripping or splashing and no objects filled with liquids, such as vases, shall be placed on apparatus.
18. The user should not attempt to service the appliance beyond that described in the operating instructions. All other servicing should be referred to qualified service personnel.
19. Unplug this product from wall outlets and refer servicing to qualified service personnel under the following conditions:
 - When the power supply cord or plug is damaged.
 - If liquid has been spilled, or objects have fallen into the product.
 - If the product has been exposed to rain or water.
 - If the product does not operate normally by following the operating instructions. Adjust only those controls that are covered by the operating instructions, as an improper adjustment of other controls may result in damage and will often require extensive work by a qualified technician to restore the product to its normal operation.

SAFETY INFORMATION

For U.S. Models

Federal Communications Commission (FCC)

Compliance Notice

This device complies with Part 15 of the FCC Rules. Operation is subject to the following two conditions:

- (1) this device may not cause harmful interference, and
- (1) this device must accept any interference received, including interference that may cause undesired operation.

NOTE: This equipment has been tested and found to comply with the limits for a Class B digital device, pursuant to Part 15 of the FCC Rules. These limits are designed to provide reasonable protection against harmful interference in a residential installation. This equipment generates, uses and can radiate radio frequency energy and, if not installed and used in accordance with the instructions, may cause harmful interference to radio communications. However, there is no guarantee that interference will not occur in a particular installation. If this equipment does cause harmful interference to radio or television reception, which can be determined by turning the equipment off and on, the user is encouraged to try to correct the interference by one or more of the following measures:

- Reorient or relocate the receiving antenna.
- Increase the separation between the equipment and receiver.
- Connect the equipment into an outlet on a circuit different from that to which the receiver is connected.
- Consult the dealer or an experienced radio/TV technician for help.

CAUTION: Changes or modifications not expressly approved by the party responsible for compliance could void the user's authority to operate the equipment.

For European Models

Declaration of Conformity

This product conforms to all applicable EU directive requirements. We declare, under our sole responsibility, that this product complies with the standards:

- Safety
- Limits and methods of measurement of radio disturbance characteristics
- Limits for harmonic current emissions
- Limitation of voltage changes, voltage fluctuations and flicker
- EU RoHS Directive, 2011/65/EU



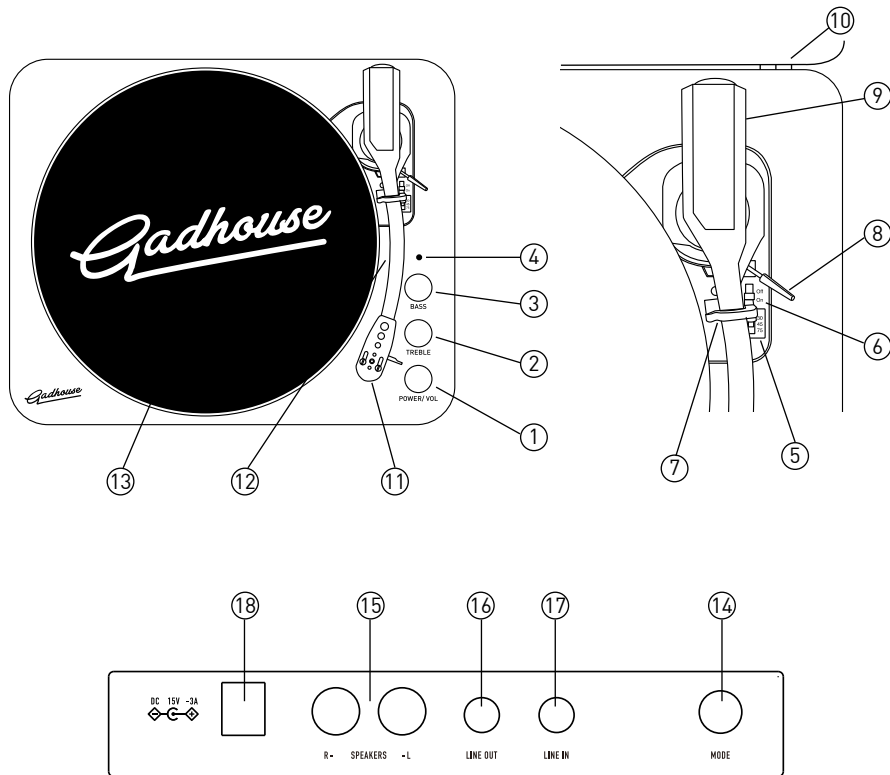
SPECIFICATION

Model	Dean
Characteristic	Belt drive turntable
Speed	33 , 45, 78 RPM
Dimension	408 mm (W) x 318 mm (H) x 188 mm (D)
Net weight	2.4 KG
Adjustment Range	
Bass	10~+10
Treble	10~+10
Bluetooth	
Bluetooth version	Bluetooth Standard version 5.0
Maximum communication range	Line of sight approx. 10 metre
Power Supply	
Power adapter	AC100-240V 50/60Hz to DC 15V 3A Power consumption 3 W
Replacement stylus	ATN3600L Dual Moving Magnet Cartridge
Output	25W+25W
Frequency Rate	20Hz-20Khz
Distortion	0.1%

ACCESSORIES INCLUDED

1. Dean turntable
2. Stylus guard
3. Power adaptor supply
4. User manual
5. Warranty Card
6. DEAN's Slip mat
7. Do Not Disturb door hanger

CONTROL LOCATORS



- | | |
|----------------------------------|---|
| 1. Power & Volume Control Knob | 12. Tone Arm |
| 2. Treble adjustment Knob | 13. Platter & Dean's Slip Mat |
| 3. Bass adjustment Knob | 14. Function Switch (Vinyl and Bluetooth selection) |
| 4. Bluetooth input LED Indicator | 15. Line-Out RCA Jacks (Stereo OUT) |
| 5. Speed Control Switch | 16. Line-Out 3.5mm Jacks (AUX OUT) |
| 6. Auto Start-Stop Switch | 17. Line-In 3.5mm Jacks (AUX IN) |
| 7. Tone Arm Holder | 18. Power Supply Jack |
| 8. Cue lever | |
| 9. Counter Weight | |
| 10. DEAN's Dust Cover | |
| 11. Stylus | |

GETTING STARTED

Unpacking and power source

1. Remove packing material from Dean turntable
2. Remove power adaptor from the gift box of Dean turntable
3. Remove tie from adaptor
4. Set the turntable properly on a flat, level surface
5. Open the dust cover (10)
6. Remove black-tie wrap from tone arm holder (7)
7. To begin using the turntable, remove the stylus guard by gently pulling toward yourself from front of needle (11)
8. To continue using the turntable, release tone arm (12) from tone arm holder clip (7) by gently pushing to the right. (However, when finished playing, please lock the tone arm holder by gently pushing to the left and protect needle by inserting the stylus guard)
9. Plug the power adaptor into an appropriate wall outlet
10. Plug the small end of the power adaptor into the power jack (18) on the back of the Dean turntable
11. Let's Dance by turning the Power Control Knob (1) From Left to Right position

OPERATION

AUDIO INPUT

Turntable function (LP)

1. Turn on the power by turning the Power Control Knob (1) From Left to Right position. Then, to start turntable function, turn on the turntable function by step up Function Switch (14).
2. Set the speed control switch (5) to the correct speed of record you will be playing.
3. Place the record on the turntable, place the Slip mat before you place the record.
4. Lifting up the cue lever (8), move the tone arm (12) to the desired starting point on the record, then lower the tone arm (12). The record will start playing.
5. Adjust the volume control knob (1) to the desired sound level.

6. Slide the auto stop switch (6) to ON to operate the auto stop function.
7. At the end of the record, the tone arm (12) will stop automatically. You must return the tone arm to the tone arm holder manually.
8. When finished playing the turntable, please lock the tone arm holder (7) by gently pushing to the left and protect the needle by inserting the stylus guard.

Bluetooth Receiver Function (BT)

1. Press Step Down on the Function Switch (4) to start the Bluetooth Input function.
2. The Bluetooth indicator (4) flashes White while Bluetooth is beginning its search.
3. Activate the Bluetooth function on your Bluetooth device (see the device's user manual).
4. Select "DEAN" on your device for pairing.
5. After successful connection, the Bluetooth indicator LED (4) will turn to solid white.
6. Enjoy the music from your Bluetooth device (Make sure DEAN turntable is connected with his Bookshelf Speakers or any external Speaker via Output Jacks).

Aux-In function (LINE-IN) (17)

1. Before use this AUX function, make sure the Function Switch is Step UP position as Turntable mode. This connection is especially useful in hooking up external devices to the Dean turntable and output with either external stereo speaker through his RCA line-out (15).
2. Hook one end of the 3.5 mm to the 3.5 mm mini-plug cable into Aux-in jack (17). (Please note that the turntable function will be immediately stopped when cable is connected) The other end will plug into the audio output jack of your device. (For more information on hooking up the external device, see the device user manual.)

OUTPUT

Line-out RCA (15)

Dual RCA to dual RCA cable - To connect the Dean turntable to Gadhouse Bookshelf speakers or any external speakers system, plug the red and white connectors on one end of the cable into the red and white line-out jack (15) on the back of the Dean turntable. The other end of the cable will plug into the stereo input jacks (RCA) of your selected component (see the component user manual).

Line-out 3.5mm (16)

1. To connect the Dean turntable to any external speakers (which uses a 3.5 mm), first of all connect the 3.5 mm mini-plug cable to Line-out 3.5mm jack (16) on the back of the Dean turntable. The other end of the cable will plug into Aux input jack (3.5 mm jack) of your selected component (see the component user manual).
2. To connect any earphones, headphones to DEAN turntable, first of all connect the 3.5 mm mini-plug cable of your selected device (see the component user manual) to Line-in 3.5mm jack (17) on the back of the Dean turntable.

TROUBLESHOOTING GUIDE

To keep the warranty valid, never try to repair the product yourself. If you encounter problems when using this product, check the following points in the table below before requesting service. If the problem remains unsolved, directly contact customer service e-mail: sales@gadhouse.com

Problem	Troubleshooting guide
The Dean turntable does not operate	<ul style="list-style-type: none"> • Make sure the power cord is plugged into a wall outlet and plug the connector into the power jack (17) on the unit. • Turn off the product, and then turn it on again.
No sound from the Dean turntable.	<ul style="list-style-type: none"> • Ensure the Volume Control Knob (1) is turned up. • Ensure the Stylus guard is removed. • Check the position of the needle (11) to insure it has not shifted out of its proper position. • Ensure the speakers is connected with DEAN Turntable
Tone arm (12) will not move	<ul style="list-style-type: none"> • Read the information under “Unpacking and power source” topic in this booklet
Needle (11) does not lower onto record.	<ul style="list-style-type: none"> • Lower the lifter lever. • Make sure the replacing new needle is a Moving Magnet Cartridge (ATN3600L Dual) • Balance the Counter Weight probably
Music from record too slow or too fast	<ul style="list-style-type: none"> • Make sure the Speed Control Switch (5) is correctly set for the record being played (33$\frac{1}{3}$, 45, or 78 RPM). (can check the speed on the record)

Problem	Troubleshooting guide
Records keep skipping	<ul style="list-style-type: none"> • Ensure the turntable is on a flat, level surface. • Clean the record with a Gadhouse Vinyl Brush Carbon Fibre (check the product from Gadhouse online store) to remove build-up of dust & dirt in the grooves of the record before playing. • Ensure the Needle (11) is in the correct position. • Ensure the Needle (11) is not bent or broken by lightly touching the tip of the needle. (see more information under “Replacing the needle” Online here: http://gadhouse.com/tutorial) • Ensure the record is in good condition.
The audio quality is poor after connection with a Bluetooth-enabled device.	<ul style="list-style-type: none"> • The Bluetooth reception is poor. Move the device closer to this product or remove any obstacle between. • Ensure the length between device and product is not more than 10 Metre.
Cannot connect Bluetooth with the Dean turntable.	<ul style="list-style-type: none"> • The device does not support the profiles required for this product. • The Bluetooth function of the device is not enabled. Check the user manual of the device to find out how to enable the function. • Ensure this product is not in the pairing mode. • This product is already connected with another Bluetooth-enabled device. Disconnect that device and then try again.

Problem	Troubleshooting guide
	<ul style="list-style-type: none"> • Ensure the Function Control Knob (14) is step-down as “Bluetooth” position <p>Note:</p> <ol style="list-style-type: none"> 1. Simultaneous use with other devices Failure, such as the interruption of sound, may be caused by radio wave interference from devices that use the same frequency band (2.4GHz) as the turntable, including devices with Bluetooth wireless technology, devices using wireless LAN, digital cordless phones and microwaves. Similarly, because radio waves of the turntable may affect these devices, take the following precautions: <ul style="list-style-type: none"> - Install the devices using the same frequency band (2.4GHz) away from the turntable. 2. Any device which is connected to the turntable needs to meet the Bluetooth standards established by Bluetooth SIG and be certified. Even if the device meets the Bluetooth standards, it might not connect to the turntable or the operation method and behaviour may differ depending on the device’s characteristics and specification.
The paired device connects and disconnects constantly.	<ul style="list-style-type: none"> • The Bluetooth reception is poor. Move the device closer to this product or remove any obstacle between. • Ensure the length between device and product is not more than 10 Metre. • Some mobile phones may connect and disconnect constantly when you make or

Problem	Troubleshooting guide
	<p>end calls. This does not indicate any malfunction of this product.</p> <ul style="list-style-type: none"> • For some devices, the Bluetooth connection may be deactivated automatically as a power-saving feature. This does not indicate any malfunction of this product.
No audio or poor sound quality from an Aux device	<ul style="list-style-type: none"> • Ensure your connected device is on and playing audio. • Ensure the 3.5 mm mini-plug cable is fully inserted into the Aux-in Jack (17) and the other end into the audio output jack of the device (see the device user manual). • Ensure the Function Control Knob (14) is on “Bluetooth” position (Step Down) • Ensure the Power/Volume Control Knob (1) is turned up. • If there is no sound, increase the volume level on the Aux device (see the device user manual). • If sound quality is poor, reduce the volume level on the AUX device (see the device user manual). • If sound is not stable, please check the cable that is in good condition and tightly connected.
How-to Replacing the new stylus	This model use Moving Magnet Cartridge (ATN3600L Dual), insist upon a genuine ATN3600L Dual replacement stylus. Look for the product at Gadhouse online store (http://www.gadhouse.com/shop). and see tutorial page for instruction.

MAINTENANCE AND CARE

- Avoid operating your unit under direct sunlight or in hot, humid or dusty places.
- Keep your unit away from heating appliances and sources of electrical noise such as fluorescent lamps or motors.
- Unplug the unit from the electrical power outlet immediately in case of malfunction.

Cleaning the Brad record player

- To prevent fire or shock hazard, disconnect your unit from the power source when cleaning.
- To clean the exterior surface of your product, wipe it using a soft, and dry cloth.

Cautions

- Do not use solvents, chemicals, or sprays.
- Do not allow liquids to spill or objects to drop into any openings.
- Do not use abrasive cloths or polishes, as these will damage the finish of your unit.
- Never allow any water or other liquids to get inside the unit while cleaning.

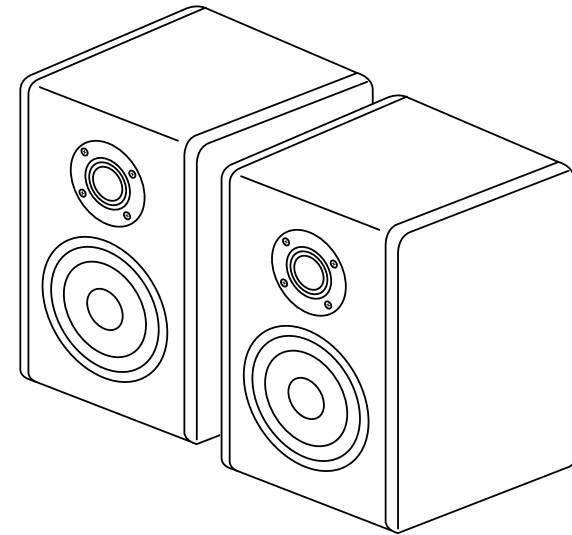
Contacting customer service

For questions about the Dean turntable, contact your local store which cooperates with Gadhouse. For contact information and customer service, please directly contact the DEAN model's customer service e-mail: sales@gadhouse.com or see more information on <http://www.gadhouse.com>.

Limited warranty

The Dean turntable is covered by a limited warranty. Details of the limited warranty are provided on the product website (<http://www.gadhouse.com>) or contact for further information via DEAN model's customer service e-mail: sales@gadhouse.com

Gadhouse



**JOAN
BOOKSHELF SPEAKER**

USER MANUAL

CONTENT

Introduction	26
Safety Information	27
Specification	28
Accessories included	29
Getting started	30
Connecting the Turntable	30
Recommendations	31
General Recommendations	31
Speaker Wire	31
Amplifier Considerations	32
Usage-Specific Recommendations	32
Maintenance and Care	33
Warranty	33

INTRODUCTION

Thank you for purchasing our **Joan Bookshelf Speakers**.

To assure maximum satisfaction from this product, please read the information and follow the instructions presented in this manual. Please keep the manual in an accessible location for future reference.

We suggest that you save all the packaging materials for possible future storage, moving or shipping.

This product has been designed for optimal audio reproduction performance in a variety of home entertainment configurations, with accuracy, clarity, and impact that discerning audiophiles listen for.

SAFETY INFORMATION

IMPORTANT SAFETY INSTRUCTIONS

1. Read these instructions.
2. Keep these instructions.
3. Heed all warnings.
4. Follow all instructions.
5. Do not use this apparatus near water.
6. Clean only with a dry cloth.
7. Do not block any of the ventilation openings. Install in accordance with the manufacturer's instructions.
8. Do not install near any heat sources such as radiators, heat registers, stoves, or other apparatus (including amplifiers) that produce heat.
9. Do not defeat the safety purpose of the polarised or grounding plug. A polarised plug has two blades with one wider than the other. A grounding plug has two blades and a third grounding prong. The wide blade or the third prong is provided for your safety. If the provided plug does not fit into your outlet, consult an electrician for replacement of the obsolete outlet.
10. Only use attachments/accessories specified by the manufacturer.
11. Use only with a cart, stand, tripod, bracket or table specified by the manufacturer, or sold with the apparatus. When a cart is used, use caution when moving the cart/apparatus combination to avoid injury from tip-over.
12. Unplug this apparatus during lightning storms or when unused for long periods of time.
13. Refer all servicing to qualified service personnel. Servicing is required when the apparatus has been damaged in any way, such as power-supply cord or plug is damaged, liquid has been spilled or objects have fallen into the apparatus, the apparatus has been exposed to rain or moisture, does not operate normally, or has been dropped.
14. Where a mains plug is used as the disconnect device, the disconnect device shall remain readily operable.
15. Please keep the unit in a good ventilation environment.
16. Apparatus shall not be exposed to dripping or splashing and no objects filled with liquids, such as vases, shall be placed on apparatus.
17. The user should not attempt to service the appliance beyond that described in the operating instructions. All other servicing should be referred to qualified service personnel.



SAFETY INFORMATION

FOR U.S. MODELS FEDERAL COMMUNICATIONS COMMISSION (FCC) COMPLIANCE NOTICE

This device complies with Part 15 of the FCC Rules. Operation is subject to the following two conditions:

- (1) this device may not cause harmful interference, and
- (1) this device must accept any interference received, including interference that may cause undesired operation.

NOTE: This equipment has been tested and found to comply with the limits for a Class B digital device, pursuant to Part 15 of the FCC Rules. These limits are designed to provide reasonable protection against harmful interference in a residential installation. This equipment generates, uses and can radiate radio frequency energy and, if not installed and used in accordance with the instructions, may cause harmful interference to radio communications. However, there is no guarantee that interference will not occur in a particular installation. If this equipment does cause harmful interference to radio or television reception, which can be determined by turning the equipment off and on, the user is encouraged to try to correct the interference by one or more of the following measures:

- Reorient or relocate the receiving antenna.
- Increase the separation between the equipment and receiver.
- Connect the equipment into an outlet on a circuit different from that to which the receiver is connected.
- Consult the dealer or an experienced radio/TV technician for help.

CAUTION: Changes or modifications not expressly approved by the party responsible for compliance could void the user's authority to operate the equipment.

FOR EUROPEAN MODELS DECLARATION OF CONFORMITY



This product conforms to all applicable EU directive requirements. We declare, under our sole responsibility, that this product complies with the standards:

- Safety
- Limits and methods of measurement of radio disturbance characteristics
- Limits for harmonic current emissions
- Limitation of voltage changes, voltage fluctuations and flicker
- EU RoHS Directive, 2011/65/EU

SPECIFICATION

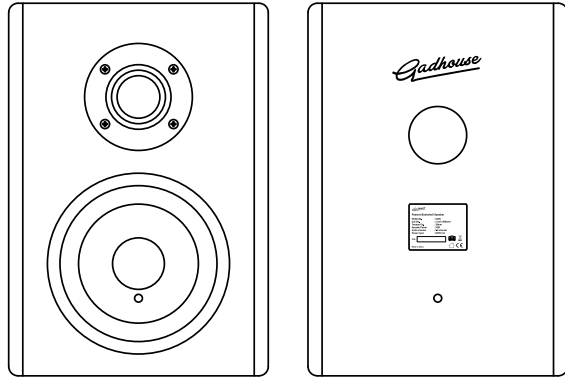
Model	Joan
Type	Passive Bookshelf Speakers
Dimension	180 mm (W) x 242 mm (H) x 160 mm (D)
Net weight	2.1 KG (2 unit of Speakers)
Woofers	4" Carbon Fiber Cone with Rubber Surround
Tweeter	1" Silk Dome
Frequency Rate	30 Hz-15 khz
Impedance	4-8 Ohms
Sensitivity	85dB 1W/1M
Power Handling	25 Watt x 2

ACCESSORIES INCLUDED

1. 2 unit of Joan Bookshelf Speaker
2. Usermanual
3. Warranty Card
4. Speaker wire (16WG)

GETTING STARTED

Joan Bookshelf Speakers is passive-type. To connect to an input device, please make sure the speakers are equipped with an amplifier e.g. your turntable must be connected to a phono or an external amplifier before connecting to Joan Bookshelf Speakers.



Connecting the Turntable

To connect the turntable to Gadhouse Bookshelf Speakers, plug the speaker cable connectors into RCA out jacks on the back of the amplifier of the turntable. To see how to connect the speakers to a device e.g., turntable, please check our tutorial site; (www.gadhouse.com/tutorial)

RECOMMENDATIONS

GENERAL RECOMMENDATIONS

Height - To use Joan Bookshelf Speakers as stereo speakers from a fixed listening area, the Speakers should be located at the ear-level of a listener who is seated in the listening location.

Distance - It is recommended that the distance between each of the Joan Bookshelf Speakers be shorter than that from the speakers to a listener. For a perfect sound quality, both of the speakers should be tilted inward toward the listener.

Position - For the ultimate sound performance, the speakers should be situated in a vertical direction. If they are not in the ear-level of a listener i.e. much higher or lower than recommended, they can be put on their side for off-axis performance.

Amplifier Considerations

An amplifier should be well and carefully selected. The range of Joan Bookshelf Speakers' impedance is between 4 to 8 ohms. Thus, the amplifier chosen needs to be able to support a 4-ohm load. For an amplifier with a switch, it is required to set to select a 4-ohm compatible operation mode. If an amplifier is not selected or setup properly, the amplifier or the speakers can be damaged.

Amplifiers between 15 to 95 watts per channel can be used with the Joan Bookshelf Speakers along with good care. In case audible distortion occurs, it is suggested to turn the volume down until the distortion is gone. Likewise, when there is audible distortion, it is required that the speaker and amplifier not play for more than a few seconds.

Usage-Specific Recommendations

Bookshelf Speakers

To use the Joan Bookshelf Speakers as bookshelf speakers, the two speakers need to be at the same height as different heights of the speakers can result in degrading sounds quality. Try to place the speakers as close to the ear level as possible no matter the listening area is at a seated level or standing level.

Stereo Speaker on Stands

Likewise, please make sure that the speakers are positioned at the ear level of a listener when they are used with speaker stands. Therefore, speaker stands with a proper height should be used. To calculate the perfect ear level, measure the height of the listener's ear when seated in a listening area, then subtract 15 cm. For instance, if the listener's ear is 100 cm. from the floor when he/she sits, the appropriate height of speaker stands will be around 85 cm. high.

Desktop Near-field Monitor

In addition, the Joan Bookshelf Speakers can be used as desktop/near-field monitor speakers e.g., next to the side of a display or mixing console. However, the Joan Bookshelf Speakers should not be located close to CRT displays or other magnetic-sensitive equipment since they are not shielded. In case placing the Joan Bookshelf Speakers at the ear-level height is not possible, it is suggested to use Monitor Isolation Pads to tilt the speakers back or to decouple them from the desk level.

MAINTENANCE AND CARE

- Avoid operating your unit under direct sunlight or in hot, humid or dusty places.
- Keep your unit away from heating appliances and sources of electrical noise such as fluorescent lamps or motors.

Cleaning

- To prevent fire or shock hazard, disconnect your unit from the power source when cleaning.
- To clean the exterior surface of your product, wipe it using a soft, and dry cloth.

Cautions

- Do not use solvents, chemicals, or sprays.
- Do not allow liquids to spill or objects to drop into any openings.
- Do not use abrasive cloths or polishes, as these will damage the finish of your unit.
- Never allow any water or other liquids to get inside the unit while cleaning.

Contacting customer service

For questions about the Dean turntable, contact your local store which cooperates with Gadhouse. For contact information and customer service, please directly contact the DEAN model's customer service **e-mail: sales@gadhouse.com** or see more information on **http://www.gadhouse.com**.

Limited warranty

This product is covered by a limited warranty. Details of the limited warranty are provided on the product website (<http://www.gadhouse.com>) or contact for further information via Joan model's customer service **e-mail: sales@gadhouse.com**

Gadhouse