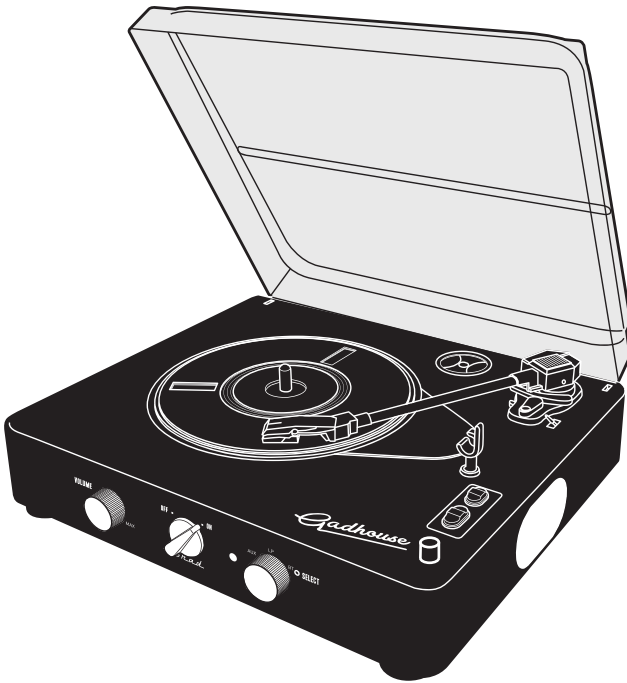


# Gadhouse



## BRAD RECORD PLAYER Black Edition

USER MANUAL



## CONTENT

Introduction	04
Safety Information	05
Specification	09
Accessories included	10
Control locators	11
Getting started	12
Unpacking and power source	12
Charging	12
Operation	12
Turntable function (LP)	12
Bluetooth Output Function (BT)	13
Aux-In function (AUX)	13
Brad's stereo speaker	14
Pitch control	14
Line-out RCA	14
Replacing the needle	15
Troubleshooting guide	16
Maintenance and Care	19
FCC statement	20

## INTRODUCTION

Thank you for purchasing Brad record player.

To assure maximum satisfaction from this product, please read the information and follow the instructions presented in this manual. Please keep the manual in an accessible location for future reference.

We suggest that you save all the packaging materials for possible future storage, moving or shipping.

**Caution:** To avoid stylus damage, make certain the included stylus guard is in place whenever the turntable is being installed, moved or cleaned.

## SAFETY INFORMATION

### WARNING

TO PREVENT FIRE OR SHOCK HAZARD, DO NOT USE THIS PLUG WITH AN EXTENSION CORD, RECEPTACLE OR OTHER OUTLET UNLESS THE BLADES CAN BE FULLY INSERTED TO PREVENT BLADE EXPOSURE. TO PREVENT FIRE OR SHOCK HAZARD, DO NOT EXPOSE THIS APPLIANCE TO RAIN OR MOISTURE.

### CAUTION

TO REDUCE THE RISK OF ELECTRIC SHOCK, DO NOT REMOVE COVER (OR BACK). NO USER-SERVICEABLE PARTS INSIDE. REFER SERVICING TO QUALIFIED SERVICE PERSONNEL.



The lightning flash with arrowhead symbol, within an equilateral triangle, is intended to alert the user to the presence of uninsulated "dangerous voltage" within the product's enclosure that may be of sufficient magnitude to constitute a risk of electric shock to persons.



The exclamation point within an equilateral triangle is intended to alert the user to the presence of important operating and maintenance (servicing) instructions in the literature accompanying the appliance.



### Important safety instructions

1. Read these instructions.
2. Keep these instructions.
3. Heed all warnings.
4. Follow all instructions.
5. Do not use this apparatus near water.
6. Clean only with a dry cloth.
7. Do not block any of the ventilation openings. Install in accordance with the manufacturer's instructions.
8. Do not install near any heat sources such as radiators, heat registers, stoves, or other apparatus (including amplifiers) that produce heat.
9. Do not defeat the safety purpose of the polarized or grounding plug. A polarized plug has two blades with one wider than the other. A grounding plug has two blades and a third grounding prong. The wide blade or the third prong is provided for your safety. If the provided plug does not



fit into your outlet, consult an electrician for replacement of the obsolete outlet.

10. Protect the power cord from being walked on or pinched particularly at plugs, convenience receptacles, and the point where they exit from the apparatus.

11. Only use attachments/accessories specified by the manufacturer.

12. Use only with a cart, stand, tripod, bracket or table specified by the manufacturer, or sold with the apparatus. When a cart is used, use caution when moving the cart/apparatus combination to avoid injury from tip-over.

13. Unplug this apparatus during lightning storms or when unused for long periods of time.

14. Refer all servicing to qualified service personnel. Servicing is required when the apparatus has been damaged in any way, such as power-supply cord or plug is damaged, liquid has been spilled or objects have fallen into the apparatus, the apparatus has been exposed to rain or moisture, does not operate normally, or has been dropped.

15. Where a mains plug is used as the disconnect device, the disconnect device shall remain readily operable.

16. Please keep the unit in a good ventilation environment.

17. Apparatus shall not be exposed to dripping or splashing and no objects filled with liquids, such as vases, shall be placed on apparatus.

18. The user should not attempt to service the appliance beyond that described in the operating instructions. All other servicing should be referred to qualified service personnel.

19. Unplug this product from wall outlets and refer servicing to qualified service personnel under the following conditions:

- When the power supply cord or plug is damaged.
- If liquid has been spilled, or objects have fallen into the product.
- If the product has been exposed to rain or water.
- If the product does not operate normally by following the operating instructions. Adjust only those controls that are covered by the operating instructions, as an improper adjustment of other controls may result in damage and will often require extensive work by a qualified technician to restore the product to its normal operation.

## **SAFETY INFORMATION**

### **For U.S. Models**

#### **Federal Communications Commission (FCC)**

#### **Compliance Notice**

This device complies with Part 15 of the FCC Rules. Operation is subject to the following two conditions:

- (1) this device may not cause harmful interference, and
- (2) this device must accept any interference received, including interference that may cause undesired operation.

**NOTE:** This equipment has been tested and found to comply with the limits for a Class B digital device, pursuant to Part 15 of the FCC Rules. These limits are designed to provide reasonable protection against harmful interference in a residential installation. This equipment generates, uses and can radiate radio frequency energy and, if not installed and used in accordance with the instructions, may cause harmful interference to radio communications. However, there is no guarantee that interference will not occur in a particular installation. If this equipment does cause harmful interference to radio or television reception, which can be determined by turning the equipment off and on, the user is encouraged to try to correct the interference by one or more of the following measures:

- Reorient or relocate the receiving antenna.
- Increase the separation between the equipment and receiver.
- Connect the equipment into an outlet on a circuit different from that to which the receiver is connected.
- Consult the dealer or an experienced radio/TV technician for help.

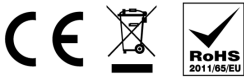
**CAUTION:** Changes or modifications not expressly approved by the party responsible for compliance could void the user's authority to operate the equipment.

## **For European Models**

### **Declaration of Conformity**

This product conforms to all applicable EU directive requirements. We declare, under our sole responsibility, that this product complies with the standards:

- Safety
- Limits and methods of measurement of radio disturbance characteristics
- Limits for harmonic current emissions
- Limitation of voltage changes, voltage fluctuations and flicker
- EU RoHS Directive, 2011/65/EU





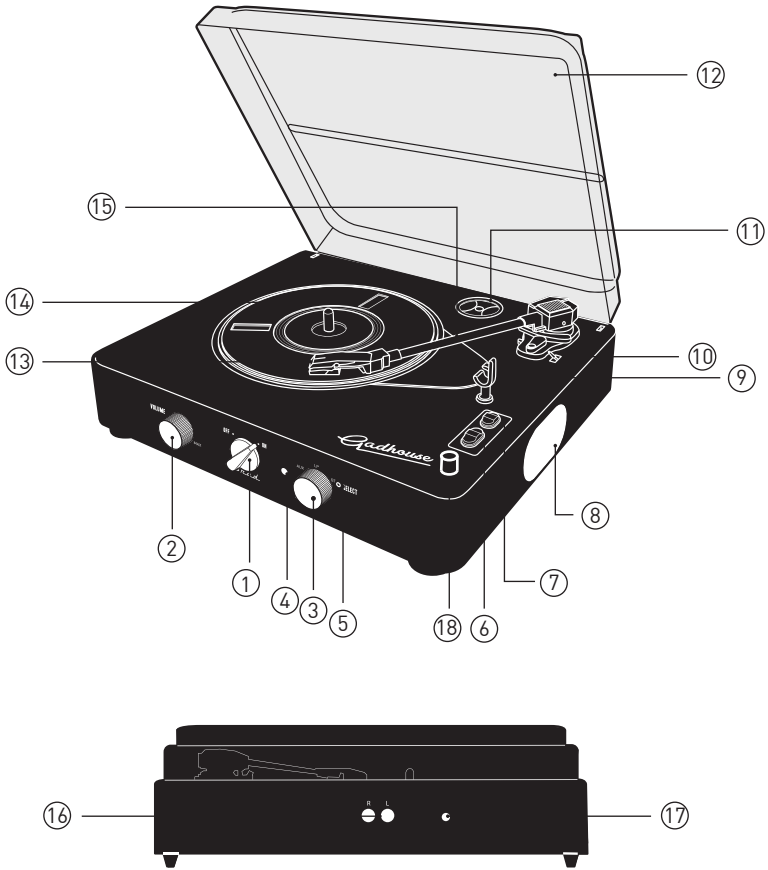
## SPECIFICATION

<b>Model</b>	Brad Black Edition
<b>Type</b>	Belt drive turntable
<b>Speed</b>	33⅓, 45, 78 RPM
<b>Dimension</b>	330 mm (W) x 280 mm (H) x 115 mm (D)
<b>Net weight</b>	2 Kg
<b>Speakers</b>	
Speakers impedance	4 Ω
Speakers Driver	0/70mm full range
Sensitivity	83± 3 dB/m/W
<b>Bluetooth</b>	
Bluetooth version	RF Automatic control unit
Output	Bluetooth Standard Power
Maximum communication range	Line of sight approx. 3-5 metre
<b>Power Supply</b>	
DC power adapter	5V/2A
Power consumption	3 W
Battery	3.7 V 2000 mA
<b>Replacement stylus</b>	Gadhouse Stylus

## **ACCESSORIES INCLUDED**

1. Brad record player
2. Stylus guard
3. 45 RPM adaptor
4. Power adaptor supply
5. User manual
6. Brad mat
7. Additional cable – dual RCA to stereo 3.5 mm mini-plug (female)
8. Additional cable – dual RCA to dual RCA (male)
9. Additional cable – 3.5 mm to 3.5 mm mini-plug
10. Do not disturb door hanger
11. Instruction card

## CONTROL LOCATORS



- |                               |                        |
|-------------------------------|------------------------|
| 1. Power Control Knob         | 10. Cue lever          |
| 2. Volume Control Knob        | 11. 45 RPM Adaptor     |
| 3. Function Control Knob      | 12. Dust Cover         |
| 4. Aux-In jack                | 13. Needle             |
| 5. Bluetooth Output Indicator | 14. Platter            |
| 6. Speed Control Switch       | 15. Tone Arm           |
| 7. Auto Stop Switch           | 16. Line-Out RCA Jacks |
| 8. Stereo Speaker             | 17. Power jack         |
| 9. Tone Arm Holder            | 18. Pitch Control      |

## **GETTING STARTED**

### **Unpacking and power source**

1. Remove packing material from Brad record player
2. Remove power adaptor from the gift box of Brad record player
3. Remove tie from adaptor
4. Set the record player properly on a flat, level surface
5. Open the dust cover (12)
6. Remove black-tie wrap from tone arm holder (9)
7. To begin using the turntable, remove the stylus guard by gently pulling toward yourself from front of needle (13)
8. To continue using the turntable, release tone arm (15) from tone arm holder clip (9) by gently pushing to the right. (However, when finished playing, please lock the tone arm holder by gently pushing to the left and protect needle by inserting the stylus guard)
9. Plug the power adaptor into an appropriate wall outlet
10. Plug the small end of the power adaptor into the power jack (17) on the back of the Brad record player
11. Let's rock and roll by turning the Power Control Knob (1) to the ON position

## **CHARGING**

Gadhouse Brad Black Edition comes with battery 2000mA/3.7V, and can play either charge or discharge for playing everywhere you go!

1. Plug the power adaptor supply in Power Jack (17) for charging then the light will turn to red light while charging. It will take approximately 2 hours each time for full of charge.
2. When Gadhouse Brad Black Edition fully charged, the light will stay still. (Please note: When you feel the speaker is getting low volume or the speed of vinyl play slow, please re-charge again.)
3. You can take Gadhouse Brad Black Edition everywhere you go and able to play upto 3-4 hours.

## **OPERATION**

### **Turntable function (LP)**

1. Turn on the power by turning the Power Control Knob (1) to the ON position. Then, turn the function control knob (3) to the “LP” position to start turntable function.
2. Set the speed control switch (6) to the correct speed of record you will be playing.
3. Place the record on the record player, or place the Brad mat before you place the record.
4. Lifting up the cue lever (10), move the tone arm (15) to the desired starting point on the record, then lower the tone arm (15). The record will start playing.
5. Adjust the volume control knob (2) to the desired sound level.
6. Slide the auto stop switch (7) to ON to operate the auto stop function.
7. At the end of the record, the tone arm (15) will stop automatically. You must return the tone arm to the tone arm holder manually.
8. When finished playing the turntable, please lock the tone arm holder (9) by gently pushing to the left and protect the needle by inserting the stylus guard.

### **45 RPM Adaptor (11) for 45 RPM records.**

1. Place the 45 RPM adaptor over the spindle.
2. Gently place your 45 RPM record (or 7” record) onto the platter.
3. Follow the steps under turntable function above to play your pretty cool record.

### **Bluetooth Output Function (BT)**

Gadhouse Brad Black Edition has the Bluetooth output function which able to connect with Bluetooth speaker. Brad Black Edition will connect with the nearest Bluetooth speaker immediately.

1. First of all, you have to prepare your Bluetooth speaker and ensure that already on “activate” status for connecting with input device, then

place it closely each other for playing.

2. Turn Function Control Knob (3) to the BT position and place your Bluetooth speaker within connectable area for pairing. It will take about 10 seconds and Bluetooth output indicator (5) will be blinking with white light. After successful connection, Bluetooth output indicator (5) will blink once time with white light and then blink slowly which means ready to use it.

3. Moreover, you can play Vinyl by using additional Bluetooth speaker wirelessly within 3-5 meters area. (Up to obstacle between each other)

### **Aux-In function (AUX)**

1. Turn the function control knob (3) to "AUX" position to start the Aux-in connection. This connection is especially useful in hooking up external devices to the Brad record player and output with either Brad's stereo speaker (8) or RCA line-out (16).

2. Hook one end of the 3.5 mm to the 3.5 mm mini-plug cable (included in this product) into Aux-in jack (4). The other end will plug into the audio output jack of your device. (For more information on hooking up the external device, see the device user manual.)

### **Brad's stereo speaker (8)**

The sound will be exported from the Brad record player via stereo speaker (8) as usual (Without any Line-out (16) connection)

### **Pitch control (18)**

Pitch Control, allows you to adjust the speed of Brad apart from standard speed, More fast:By turning to the right. Generally, When mixing two records that DJs want to beat match.

### **Line-out RCA (16)**

For maximum flexibility, the Brad record player has included adaptor cables to fit other popular audio outputs.

1. Dual RCA to dual RCA cable - To connect the Brad record player to an external Hi-Fi/amplifier system, plug the red and white connectors on one end of the cable into the red and white line-out jack (16) on the back of the Brad record player. The other end of the cable will plug into the Aux input jacks (RCA) of your selected component (see the component user manual).
2. Dual RCA to stereo 3.5 mm mini-plug cable - To connect the Brad record player to earphones, headphones or any speakers, plug the red and white connectors on one end of the cable into the red and white line-out jack (16) on the back of the Brad record player. The other end of the cable (3.5 mm female) will be plugged in with the 3.5 mm mini-plug cable (male) of your headphones or any selected component.
3. Dual RCA to stereo 3.5 mm mini-plug cable and 3.5 mm to 3.5 mm mini-plug cable - To connect the Brad record player to an external speaker (which uses a 3.5 mm jack), first of all connect two cables together by plugging one end of the 3.5 mm to the 3.5 mm mini-plug cable to the 3.5 mm female jack (of the Dual RCA to stereo 3.5 mm mini-plug cable). Then, plug the red and white connectors on one end of the combined cable into the red and white line-out jack (16) on the back of the Brad record player. The other end of the combined cable will plug into Aux input jack (3.5 mm jack) of your selected component (see the component user manual).

## **REPLACING THE NEEDLE**

Install the new needle assembly as shown in the instruction figures in the website, being careful not to touch the actual needle. Make certain that the assembly clicks up into place, with no gap between its top edge and the black plastic tone arm head. To maintain original performance, insist upon a genuine Gadhouse brand replacement stylus. Look for the Gadhouse trademark on the needle packaging or check it out on the Gadhouse online store (<http://www.gadhouse.com>).

## TROUBLESHOOTING GUIDE

To keep the warranty valid, never try to repair the product yourself. If you encounter problems when using this product, check the following points in the table below before requesting service. If the problem remains unsolved, directly contact the Brad model's customer service e-mail: [brad@gadhouse.com](mailto:brad@gadhouse.com).

Problem	Troubleshooting guide
The Brad record player does not operate	<ul style="list-style-type: none"><li>• Make sure the power cord is plugged into a wall outlet and plug the connector into the power jack (17) on the unit.</li><li>• Turn off the product, and then turn it on again.</li></ul>
No sound from the Brad record player.	<ul style="list-style-type: none"><li>• Ensure the Volume Control Knob (2) is turned up.</li><li>• Ensure the Stylus guard is removed.</li><li>• Check the position of the needle (13) to insure it has not shifted out of its proper position.</li></ul>
Tone arm (15) will not move	<ul style="list-style-type: none"><li>• Read the information under "Unpacking and power source" topic in this booklet</li></ul>
Needle (13) does not lower onto record.	<ul style="list-style-type: none"><li>• Lower the lifter lever.</li><li>• Make sure the replacing new needle is a genuine Gadhouse brand replacement stylus. (see more information under "Replacing the needle" topic)</li></ul>
Music from record too slow or too fast	<ul style="list-style-type: none"><li>• Make sure the Speed Control Switch (6) is correctly set for the record being played (33<math>\frac{1}{3}</math>, 45, or 78 RPM). (can check the speed on its record)</li></ul>
Records keep skipping	<ul style="list-style-type: none"><li>• Ensure the turntable is on a flat, level surface.</li></ul>



Problem	Troubleshooting guide
	<ul style="list-style-type: none"> <li>• Clean the record with a proper record-cleaning brush (check the product from Gadhouse online store) to remove build-up of dust &amp; dirt in the grooves of the record.</li> <li>• Ensure the Needle (13) is in the correct position.</li> <li>• Ensure the Needle (13) is not bent or broken by lightly touching the tip of the needle. (see more information under “Replacing the needle” topic)</li> <li>• Ensure the record is in good condition.</li> </ul>
<p>The audio quality is poor after connection with a Bluetooth-enabled device.</p>	<ul style="list-style-type: none"> <li>• The Bluetooth reception is poor. Move the device closer to this product or remove any obstacle between.</li> <li>• Ensure the length between device and product is not more than 5 Metre.</li> </ul>
<p>Cannot connect Bluetooth Output with the Brad record player.</p>	<ul style="list-style-type: none"> <li>• The device does not support the profiles required for this product.</li> <li>• The Bluetooth function of the device is not enabled. Check the user manual of the device to find out how to enable the function.</li> <li>• Ensure this product is close to Bluetooth device for pairing mode.</li> <li>• This product is already connected with another Bluetooth-enabled device. Disconnect that device and then try again.</li> <li>• Ensure the Function Control Knob (3) is on “BT” position</li> </ul>

Problem	Troubleshooting guide
<p>The paired device connects and disconnects constantly.</p>	<ul style="list-style-type: none"> <li>• The Bluetooth reception is poor. Move the device closer to this product or remove any obstacle between.</li> <li>• Ensure the length between device and product is not more than 5 Metre.</li> <li>• For some devices, the Bluetooth connection may be deactivated automatically as a power-saving feature. This does not indicate any malfunction of this product.</li> </ul>
<p>No audio or poor sound quality from an Aux device</p>	<ul style="list-style-type: none"> <li>• Ensure your connected device is on and playing audio.</li> <li>• Ensure the 3.5 mm mini-plug cable(included) is fully inserted into the Aux-in Jack (4) and the other end into the audio output jack of the device (see the device user manual).</li> <li>• Ensure the Function Control Knob (3) is on "AUX" position</li> <li>• Ensure the Volume Control Knob (2) is turned up.</li> <li>• If there is no sound, increase the volume level on the Aux device (see the device user manual).</li> <li>• If sound quality is poor, reduce the volume level on the AUX device (see the device user manual).</li> </ul>

## **MAINTENANCE AND CARE**

- Avoid operating your unit under direct sunlight or in hot, humid or dusty places.
- Keep your unit away from heating appliances and sources of electrical noise such as fluorescent lamps or motors.
- Unplug the unit from the electrical power outlet immediately in case of malfunction.

### **Cleaning the Brad record player**

- To prevent fire or shock hazard, disconnect your unit from the power source when cleaning.
- To clean the exterior surface of your product, wipe it using a soft, dry cloth.

### **Cautions**

- Do not use solvents, chemicals, or sprays.
- Do not allow liquids to spill or objects to drop into any openings.
- Do not use abrasive cloths or polishes, as these will damage the finish of your unit.
- Never allow any water or other liquids to get inside the unit while cleaning.

### **Contacting customer service**

For questions about the Brad record player, contact your local store which cooperates with Gadhouse. For contact information and customer service, please directly contact the Brad model's customer service e-mail: [brad@gadhouse.com](mailto:brad@gadhouse.com) or <http://www.gadhouse.com>.

### **Limited warranty**

The Brad record player is covered by a limited warranty. Details of the limited warranty are provided on the product website (<http://www.gadhouse.com>) or contact for further information via Brad model's customer service e-mail: [brad@gadhouse.com](mailto:brad@gadhouse.com).

## FCC STATEMENT

This device complies with Part 15 of the FCC Rules. Operation is subject to the following two conditions:

- (1) This device may not cause harmful interference, and
- (2) This device must accept any interference received, including interference that may cause undesired operation.

**Warning:** Changes or modifications not expressly approved by the party responsible for compliance could void the user's authority to operate the equipment.

**NOTE:** This equipment has been tested and found to comply with the limits for a Class B digital device, pursuant to Part 15 of the FCC Rules. These limits are designed to provide reasonable protection against harmful interference in a residential installation.

This equipment generates uses and can radiate radio frequency energy and, if not installed and used in accordance with the instructions, may cause harmful interference to radio communications. However, there is no guarantee that interference will not occur in a particular installation. If this equipment does cause harmful interference to radio or television reception, which can be determined by turning the equipment off and on, the user is encouraged to try to correct the interference by one or more of the following measures:

- Reorient or relocate the receiving antenna.
- Increase the separation between the equipment and receiver.
- Connect the equipment into an outlet on a circuit different from that to which the receiver is connected.
- Consult the dealer or an experienced radio/TV technician for help.

The logo for Gadhouse, featuring the word "Gadhouse" in a stylized, cursive script font with a thick underline.



*Gadhouse*